



MODEL MVF

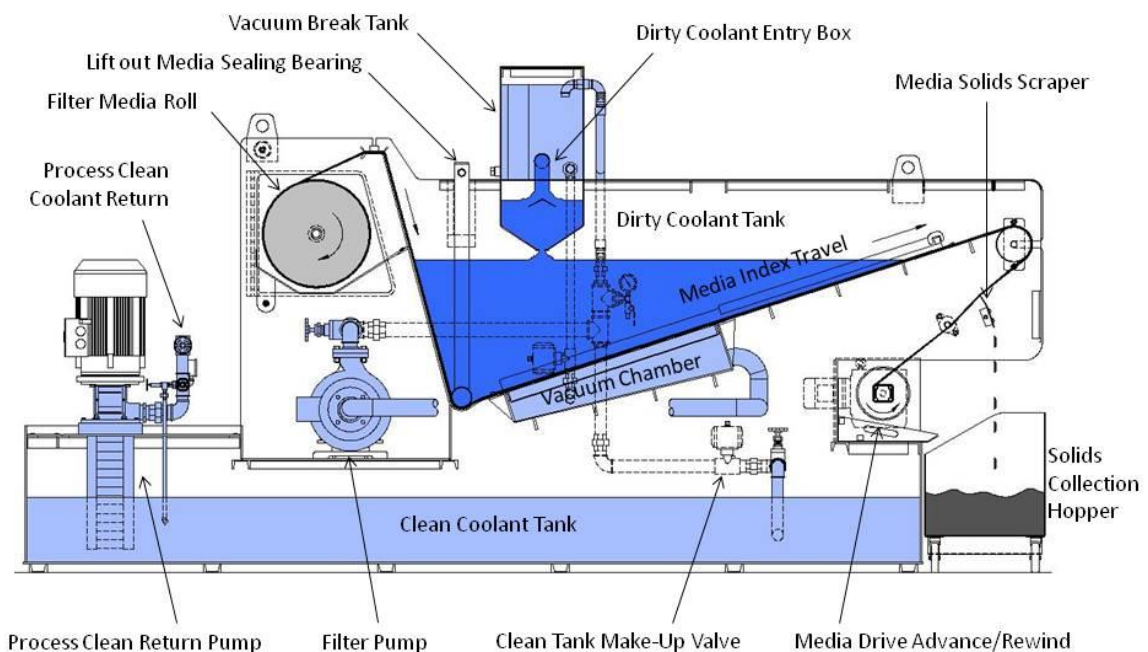
The **MicroTech MediaVac Filter (MVF)** is a very unique and fully automatic Roll Media Vacuum Filter designed to clean all types of metal working fluids including water based coolants and light grinding oil down to 15/20 microns. The MVF has many design improvements to enhance its operation under all production conditions. The most important of these is the elimination of the conveyor chain and flight assembly that can rip and tear the media as it advances across the perforated filter screen. When the MVF media advances it is efficiently drawn forward over ball bearing supported rollers by a gear motor and used media re-winder.

MicroTech Vacuum Filter (MVF) Model

The MVF has been developed as a small, cost effective alternative to the standard conveyor operated vacuum filters which have been available for years. This new innovative design incorporates all the proven vacuum filter technology but eliminates the media tearing and poor media tracking because there is no chain and flight assembly. The new inclined bed vacuum filter operates at very low flux rates to provide effective use of the roll media. The **MicroTech MediaVac Filter** also incorporates an automatic vacuum break cycle to gently lift the media off the filter screen prior to its advance and then the media is slowly drawn just three feet forward across the entire filter screen introducing new clean media to the entire filter surface. The MVF is available in filter sizes of 5, 10, 15 & 20 sq. ft. of filter area and flow rates up to 200 GPM.

The MVF 2x Filter option has been developed as a "Dual Filter" with two independent operating 10 or two 15 sq. ft. filters mounted over a single clean tank. The double filter configuration can be used to handle two grinding machines and offers filter redundancy for service and down time especially important in 24/7 operations. The MVF 2x can provide a flow rate of up to 300 GPM and has a dual set of process pumps and a single chiller sized to support both grinding applications.

MediaVac Filter Section View



MicroTech Filtration a Division of Campbell Grinder Company

1226 E. Pontaluna Road

Spring Lake, MI 49456

231-798-6464 – Sales

www.MicroTechFiltration.com

Email Sales: mtf.sales@microtechfiltration.com

